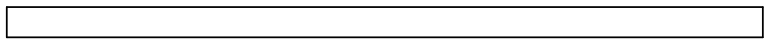
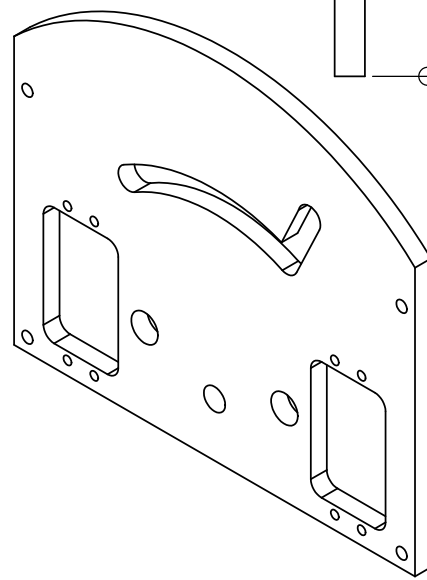
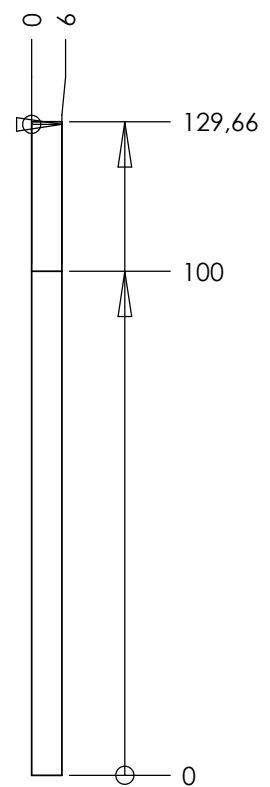


Hole for autothrottle servo mount
No needed if servos are not used.
Change size if you servo don't fit
to hole.

Hole por potentiometer.
Distance to main axle is measured
for Lego 16 and 40 theeth gears.
Change if you use different gears



TITLE:		ThrottleChassis	
A4		Copyright 2003 Jari Mikkilä	
DO NOT SCALE DRAWING		Date:	
SCALE:1:1.5		MATERIAL:	